

# SENSORS BLOCK BS 12.7 TYPHON

## GENERAL SPECIFICATIONS

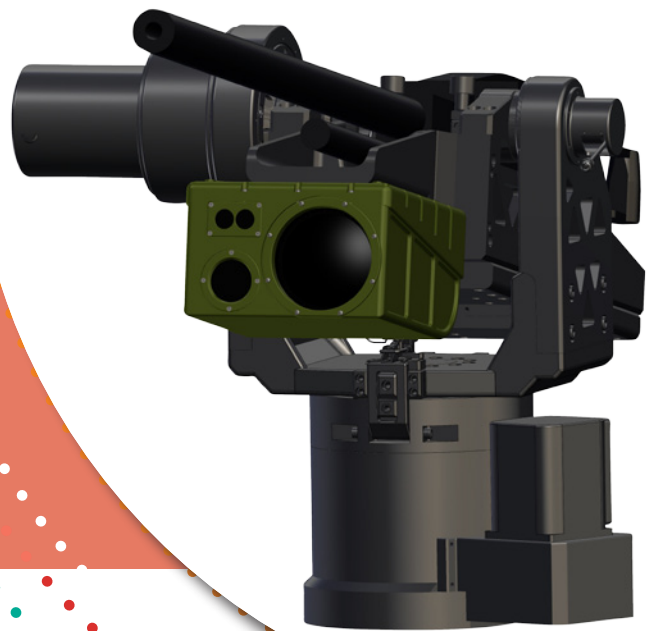
- **Power supply:** 24 VDC
- **Power consumption:** Max 50W
- **Video output:** PAL, optional SDI
- **Communication:** RS 485
- **Dimensions (LxWxH):** 297x240x155 mm
- **Weight:** 8.8 kg
- **Operating temperature:** -35 °C to +55 °C
- **Storage temperature:** -40 °C to +85 °C

## THERMAL CAMERA EOS-150U

- **Thermal imager:** Uncooled, 640 (H) x 512 (V) pixels
- **Pixel size:** 17 µm
- **Spectral range:** 7.5 ÷ 13.5 µm
- **Sensitivity:** <50 mK @ f/1.0, optional ≤30 mK
- **Frame rate:** 25/30 Hz
- **Digital zoom:** Continuous 6X
- **Lens type:** Motorized continuous zoom 25-150 mm
- **Field of view:** 24.5° WFOV, 4.1° NFOV
- **f/number:** f/1.4
- **Image processing:** Image polarity, DDE, AGC, NUC
- **Power supply:** 20 VDC to 30 VDC
- **Consumption:** <3 W steady state operation at 20°C and 24 VDC
- **Detection, recognition:**
  - Person: (1,8x0,5 m)
    - Detection: 4500 m
    - Recognition: 1500 m
  - Object: (2,3 x 2,3 m)
    - Detection: 8800 m
    - Recognition: 2900 m

Optional

VIDEO  
TRACKING  
BOARD



## DAY CAMERA

- **Imager:** 1/2.8 Type Exmor CMOS Sensor
- **Picture elements:** 2140K pixels
- **Lens:** 30x zoom  
F= 4.3 mm (WIDE) to 129 mm (TELE), F1.6 to F4.7
- **Digital zoom:** 12x (360x with optical zoom)
- **Angle of view (H):**  
Approx. 63.7 degrees (wide end),  
Approx. 2.3 degrees (tele end)
- **Min. illumination:**  
0.35 lx (1/30 sec, 50%, High Sensitivity mode ON)  
1.4 lx (1/30 sec, 50%, High Sensitivity mode OFF)  
0.05 lx (1/4 sec, 1/3 sec, 50%, High Sensitivity mode ON)  
0.19 lx (1/4 sec, 1/3 sec, 50%, High Sensitivity mode OFF)  
ICR-ON Mode  
0.013 lx (1/30 sec, 50%, High Sensitivity mode ON)  
0.05 lx (1/30 sec, 50%, High Sensitivity mode OFF)  
0.002 lx (1/4 sec, 1/3 sec, 30%, High Sensitivity mode ON)
- **S/N ratio:** 50 dB (Weight ON)
- **Back light compensation:** ON/OFF
- **Wide dynamic range:** ON/OFF
- **Noise reduction:** ON/OFF (level 5 to 1 / OFF, 6 steps)
- **Defog mode:** ON/OFF

## LASER RANGEFINDER LRF 5020

- **Wavelength:** 1550 nm
- **Range capability:** 4.5 km
- **Accuracy < 1500 m:** ± 3 m
- **Accuracy > 1500 m:** ± 5 m

### ELECTRO OPTIC COMPONENTS

171A Atomistilor street, Magurele, ILFOV, 077125, ROMANIA  
www.electro-optic.ro • office@electro-optic.ro • Tel./Fax: +4.021.457.45.92

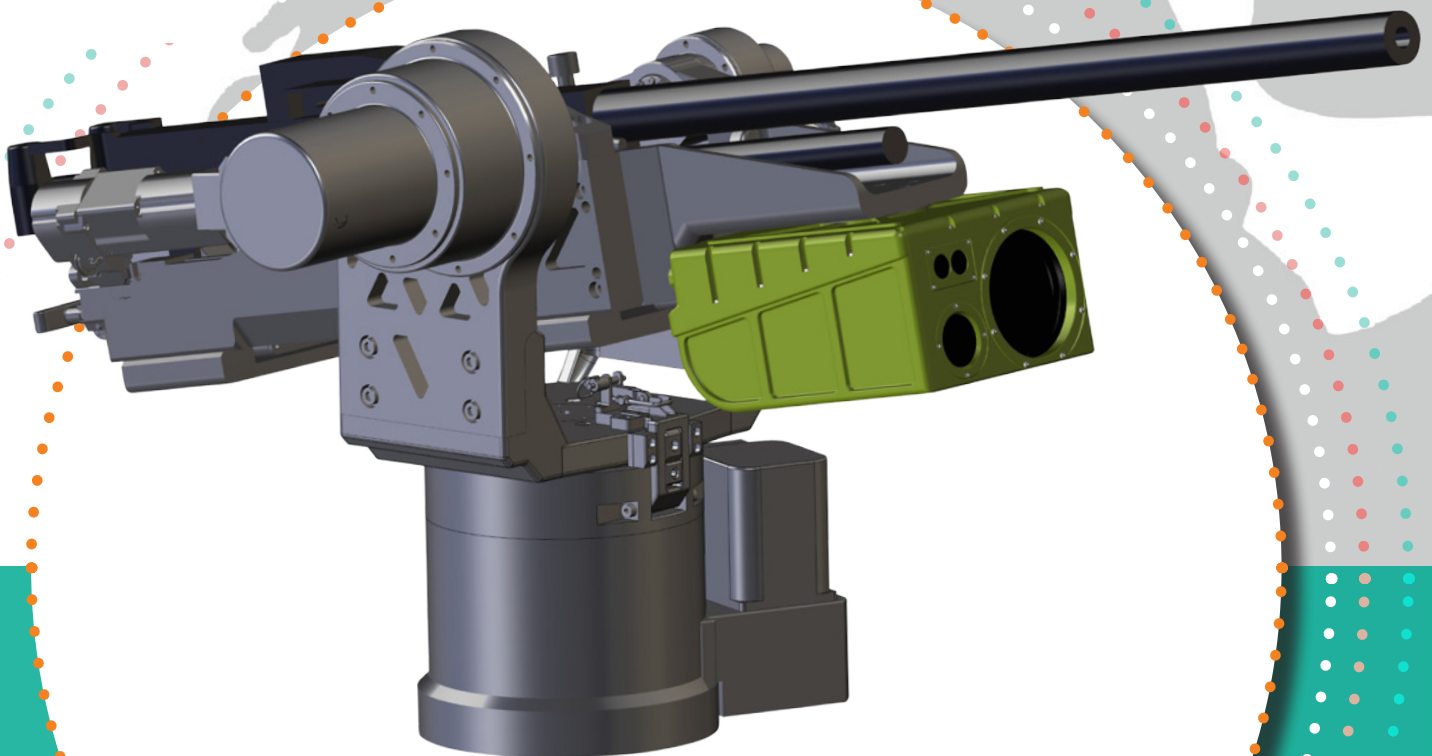
# SENSORS BLOCK BS 12.7 TYPHON

The optical sensors block BS 12.7 TYPHON is designed to be integrated in surveillance or targeting systems.

The sensors block includes optical sensors for day and night surveillance, eye safe laser rangefinder, optional tracking board and other functions required by specific application. All these sensors are controlled by a specialized electronic board which ensures also communication with external devices as computers or multifunction displays.

**By construction, the product ensures:**

- Observation of the tactical field objects during daytime and nighttime;
- Distance measurement up to 4500 m;
- Transmission of the video signal from the selected camera to an external device;
- Communication through the RS 485 serial connection with external devices.



**ELECTRO OPTIC COMPONENTS**

171A Atomistilor street, Magurele,  
ILFOV, 077125, ROMANIA  
[www.electro-optic.ro](http://www.electro-optic.ro)  
[office@electro-optic.ro](mailto:office@electro-optic.ro)  
Tel./Fax: +4.021.457.45.92